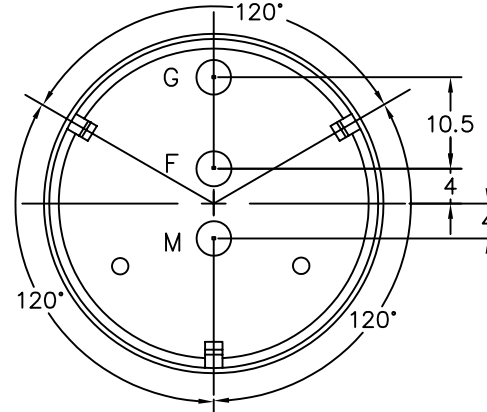
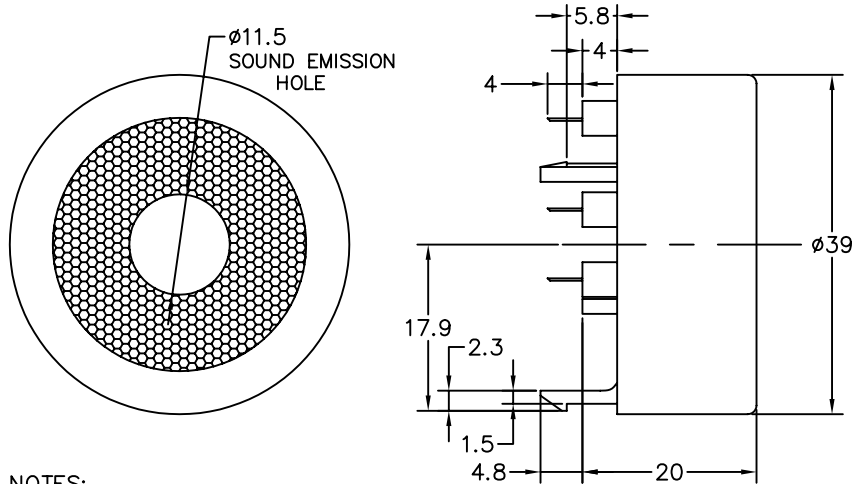
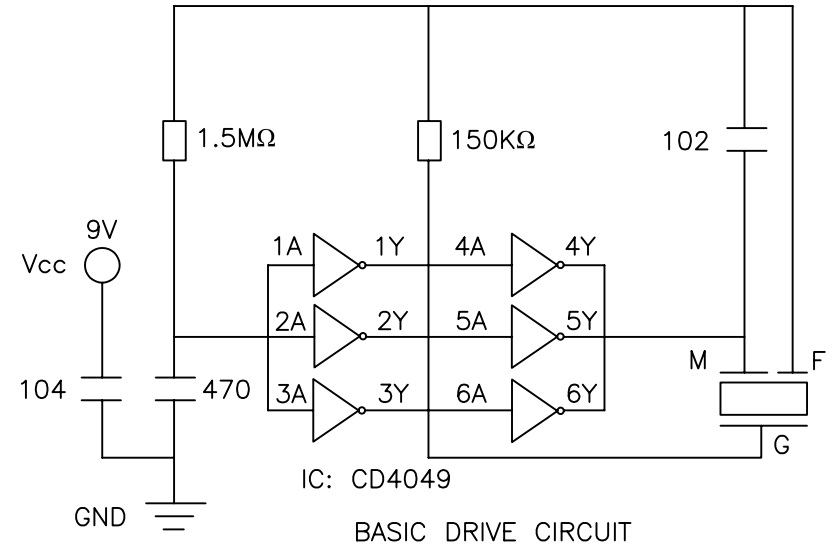


THIS DOCUMENT CONTAINS DATA PROPRIETARY TO PROJECTS UNLIMITED, INC. ANY USE OR REPRODUCTION, IN ANY FORM, WITHOUT PRIOR WRITTEN PERMISSION OF PROJECTS UNLIMITED, INC. IS PROHIBITED.  
© 2005, Projects Unlimited Inc.

### SPECIFICATIONS

PARAMETERS	VALUES	UNITS
RATED VOLTAGE	9	Vp-p
OPERATING VOLTAGE RANGE	6 ~ 18	Vp-p
RATED CURRENT (MAX)	20	mA
CAPACITANCE	28,000±30%	pF
MINIMUM SPL @ 10 CM	92	dBA
RESONANT FREQUENCY	3,400±500	Hz
OPERATING TEMPERATURE	-20 ~ +70	°C
STORAGE TEMPERATURE	-30 ~ +80	°C
HOUSING MATERIAL	MPPO	-
TERMINAL MATERIAL	Sn PLATED BERYLLIUM BRONZE	-
WEIGHT	12	grams

REVISIONS			
LTR	DESCRIPTION	DATE	APPROVED
-	RELEASED FROM ENGINEERING	3/16/06	



NOTES:

1. ALL DIMENSIONS ARE IN MILLIMETERS.
2. SPECIFICATION SUBJECT TO CHANGE OR WITHDRAWAL WITHOUT NOTICE.
3. STAINLESS STEEL BENDER-COATING OVER CERAMIC
4. THIS PART IS RoHS 2002/95/EC COMPLIANT

FILE NAME  
AT-3934-TT-CS-R.DWG

UNLESS OTHERWISE SPECIFIED: DIMENSIONS ARE IN MILLIMETERS, TOLERANCES ARE ±0.5 AND ANGLES ARE ±3°.		<b>projects® unlimited</b> Dayton, Ohio	
APPROVALS DRAWN <i>TG</i> CHECKED <i>BR</i> APPROVED <i>EP</i>		DATE <i>3/06</i> <i>3/06</i> <i>3/06</i>	
SIZE <b>A</b>		DRAWING NO. <b>AT-3934-TT-CS-R.DWG</b>	
DO NOT SCALE DRAWING		SCALE: N.T.S.	SHEET 1 OF 1